

General Specification

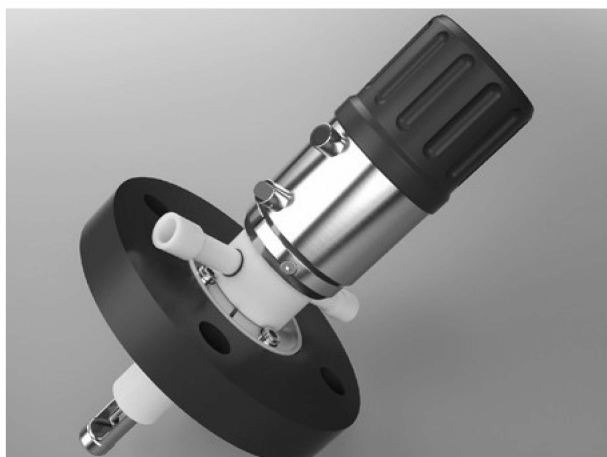
EXAtrac Series
Retractable holders



EXtract 810M stainless steel



EXtract 811M stainless steel, extended immersion



EXtract 820M plastics



EXtract 821M plastics, extended immersion



EXtract 830M hygienic installation



EXtract 840M manual retractable holder with ball valve



EXtract 810M Stainless steel

EXtract 810M is a manual retractable holder made of stainless steel for installation of Ø12mm sensors on tanks or pipelines with an unique rotary drive unit.

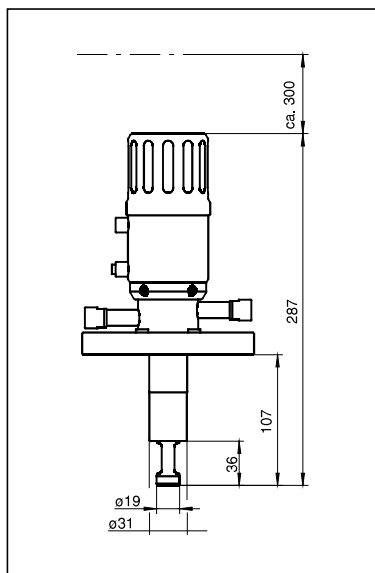
Features:

- Robust design, integrated scraper
- Automatic locking system with indicators for measurement- and service position
- Automatic safety lock while sensor is removed
- Safe handling under higher process pressure due to unique rotary drive
- Stainless steel AISI 316L / 1.4404 or Alloy
- Immersion length up to 107mm
- Usable in ATEX-areas

Specifications:

Process pressure	: 0...16bar
Process temperature	: -10...140°C
Ambient temperature	: -10...70°C
Immersion length	: up to 107mm
Sensors	: Ø12-225mm PG 13.5
Materials	: stainless steel 1.4404 /316L, Alloy C22 (2.4602)
Sealings	: EPDM, FPM (Viton), FFKM (Kalrez)
Process connection	: Flange DN32, DN40, DN50, ANSI 1 ¼", ANSI 1 ½, ANSI 2", MNPT 1 ¼", TriClamp 1.5", TriClamp 2"
Cleaning ports	: G1/8", G1/4", FNPT 1/4"
Operating power	: manual
Limit switches	: optional electrical NAMUR switches

Dimensions:



GS 12B06K08-E-E



EXtract 811M Stainless steel, extended immersion

EXtract 811M is a manual retractable holder made of stainless steel for installation of Ø12-325mm sensors on tanks or pipelines with an extended immersion length up to 207mm with an unique rotary drive unit.

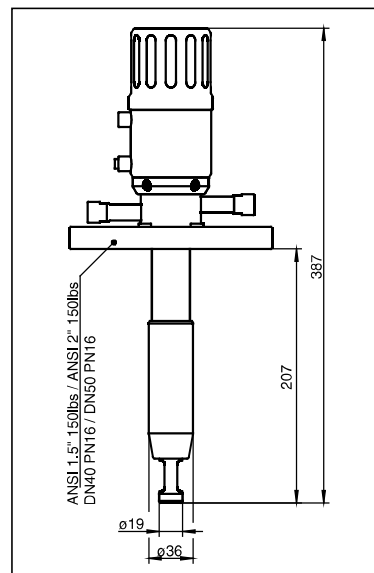
Features:

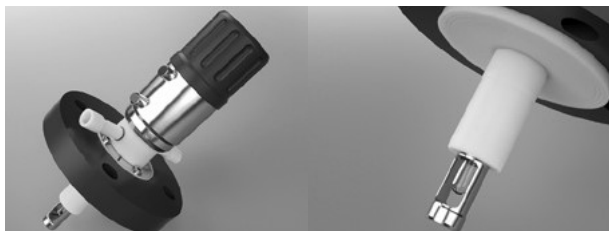
- Robust design, integrated scraper
- Automatic locking system with indicators for measurement- and service position
- Automatic safety lock while sensor is removed
- Safe handling under higher process pressure due to unique rotary drive
- Stainless steel AISI 316L / 1.4404 or Alloy
- Usable in ATEX-areas
- Immersion length up to 207mm

Specifications:

Process pressure	: 0...16bar
Process temperature	: -10...140°C
Ambient temperature	: -10...70°C
Immersion length	: up to 207mm
Sensors	: Ø12-325mm PG 13.5
Materials	: stainless steel 1.4404 /316L, Alloy C22 (2.4602) Sealings EPDM, FPM (Viton), FFKM (Kalrez)
Process connection	: Flange DN50 PN16 / DN40 PN16 / ANSI 2" 150lbs / ANSI 1 ½" 150lbs
Cleaning ports	: G1/8", G1/4", FNPT 1/4"
Drive unit	: manual rotary drive unit
Limit switches	: optional electrical NAMUR switches

Dimensions:





EXtract 820M Plastics

EXtract 820M is manual retractable holder made of plastics for installation of Ø12-225mm sensors on tanks or pipelines with an unique rotary drive unit.

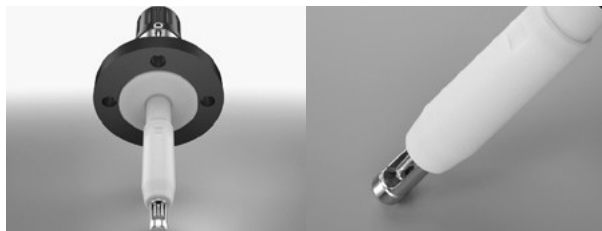
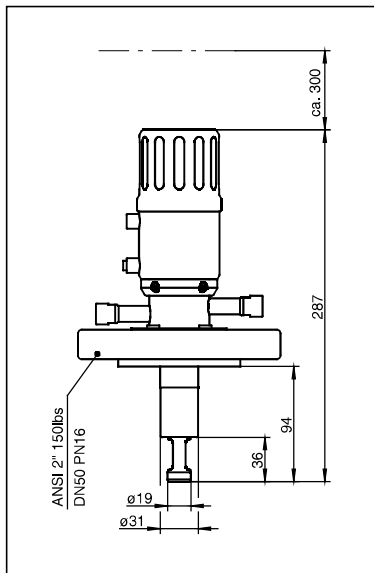
Features:

- Robust design, integrated scraper
- Automatic locking system with indicators for measurement- and service position
- Automatic safety lock while sensor is removed
- Safe handling under higher process pressure due to unique rotary drive
- PP, PVDF or PEEK available
- Usable in ATEX-areas
- High stability protection cage in Alloy for option PVDFImmersion length
- up to 94mm

Specifications:

Process pressure	: 0...10bar
Process temperature	: -10...140°C
Ambient temperature	: -10...70°C
Immersion	: length up to 94mm
Sensors	: Ø12-225mm PG 13.5
Materials	: PP, PVDF/Alloy C22, PEEK
Sealings	: EPDM, FPM (Viton), FFKM (Kalrez)
Process connection	: Flange DN50 PN16, ANSI 2" 150lbs, MNPT 1 1/4"
Cleaning ports	: G1/8", G1/4", NPT 1/4"
Drive unit	: manual rotary drive unit
Limit switcher	: optional electrical NAMUR-switches

Dimensions:



EXtract 821M Plastics, extended immersion

EXtract 821M is a manual retractable holder made of plastics for installation of Ø12-325mm sensors on tanks or pipelines with an extended immersion length up to 194mm with unique rotary drive.

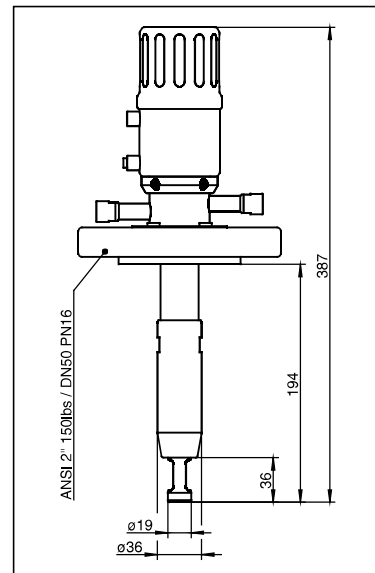
Features:

- Robust design, integrated scraper
- Automatic locking system with indicators for measurement- and service position
- Automatic safety lock while sensor is removed
- Safe handling under higher process pressure due to unique rotary drive
- PVDF or PEEK
- High stability protection cage in Alloy for option PVDF
- Usable in ATEX-areas
-

Specifications:

Process pressure	: 0...10bar
Process temperature	: -10...140°C
Ambient temperature	: -10...70°C
Immersion length	: up to 194mm
Sensors	: Ø12-325mm PG 13.5
Materials	: PVDF / Alloy C22, PEEK
Sealings	: EPDM, FPM (Viton), FFKM (Kalrez)
Process connection	: Flange DN50 PN16 / DN40 PN16 / ANSI 2" 150lbs / ANSI 1 1/2" 150lbs
Cleaning ports	: G1/8", G1/4", FNPT 1/4"
Power	: compressed air 4..6 bar
Limit switches	: optional electrical NAMUR switches

Dimensions:



GS 12B06K08-E-E



EXtract 830M hygienic installation

EXtract 830M is a manual retractable holder made of stainless steel for hygienic installation of Ø12-225mm sensors on tanks or pipelines with an unique rotary drive unit.

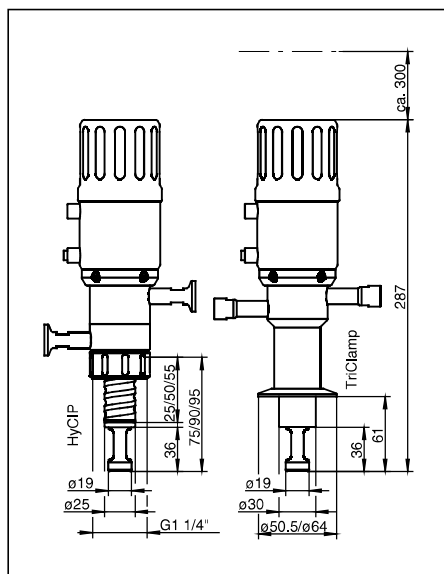
Features:

- Hygienic design, EHEDG- / 3A-approved process connections
- Automatic locking system with indicators for measurement- and service position
- Automatic safety lock while sensor is removed
- Safe handling under higher process pressure due to unique rotary drive
- AISI 316L / 1.4404, surface finish Ra<0.78 electro-polished
- High variation of process connections and sealing materials
- Up to 16 bar and 140 °C

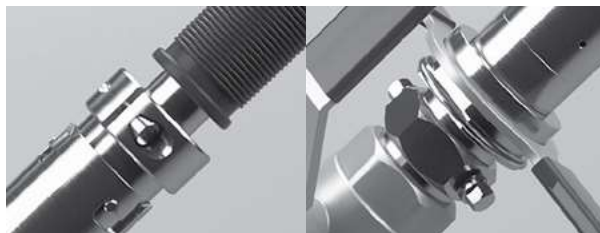
Specifications:

Process pressure	: 0...10bar
Process temperature	: -10...140°C
Ambient temperature	: -10...70°C
Sensors	: Ø12-225mm PG 13.5
Materials	: stainless steel 1.4404 /316L
Process surface	: < Ra 0.78µm, electropolished
Sealings	: EPDM FDA USP VI, FPM (Viton)
Process connection	: Ingold DN25 G1¼", HyCIP® OP25/50/55mm, TriClamp 1.5", TriClamp 2", Varivent N DN40-125, Neumo BioControl D50, DIN11851 DN50
Cleaning ports	: G1/8", G1/4", FNPT 1/4"
Drive unit	: manual rotary drive
Limit switches	: optional electrical NAMUR switchess

Dimensions:



GS 12B06K08-E-E



EXtract 840M manual retractable holder with ball valve

EXtract 840M is a hand-operated retractable fitting with long immersion depth and ball valve for installation of Ø12-120mm sensors on tanks with unique safety lock against unintentional unlocking at too high process pressures.

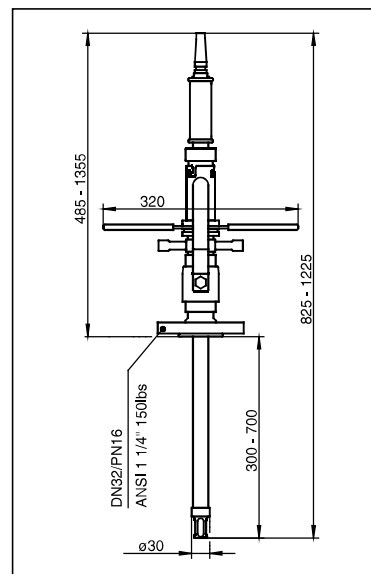
Features:

- Robust design, with ball valve
- Integrated sealing package
- Automatic locking mechanism at too high process pressures
- Stainless steel AISI 316L / 1.4404
- Immersion length up to 700mm nominal
- High variation of process connections
- Applicable up to 12 bar and 130 °C

Specifications:

Process pressure	: 0...12bar
Process temperature	: -10...130°C
Ambient temperature	: -10...70°C
Immersion length	: 300mm / 700mm nominal
Sensors	: Ø12-120mm PG 13.5
Material	: stainless steel 1.4404 /316L
Sealings	: EPDM, FPM (Viton), FFKM (Kalrez)
Process connection	: Flange DN32, ANSI 1 ¼", Thread G1 ¼"
Ball valve	: DN32
Cleaning ports	: G1/8", G1/4", FNPT 1/4"
Operating power	: manual
Limit switches	: without

Dimensions:



Model codes

EXtract 810M stainless steel

Code 4404 HC22		Material (wetted parts) Delivery Stainless steel 1.4404 / 316L Alloy C22 2.4602
Code EPD FPM FKM	Sealing Material (wetted sealings) Delivery EPDM/FDA/USP VI FPM (Viton) FFKM (Kalrez)	
Code 225 280	Sensor type Delivery 225mm PG 13,5 gel-filled 280mm PG 13,5 liquid filled	
Code D32 D40 D50 A14 A12 A20 N14 TC20 TC15	Process Connection Delivery Flange DN32 PN16 Flange DN40 PN16 Flange DN50 PN16 Flange ANSI 1 1/4" 150lbs Flange ANSI 1 1/2" 150lbs Flange ANSI 2" 150lbs NPT M 1 1/4" TriClamp 2.0 (OD Ø64mm) TriClamp 1-1,5" (OD Ø50,5mm)	
Code G18 G14 N14	Cleaning Connection Delivery G 1/8" female thread G 1/4" female thread 1/4" NPT female thread	
Code 00	Position switch Delivery without	

Model codes

EXtract 820M Plastics

Code PP PV PEEK		Material (wetted parts) Delivery PP PVDF PEEK
Code EPD FPM FKM	Sealing Material (wetted sealings) Delivery EPDM/FDA/USP VI FPM (Viton) FFKM (Kalrez)	
Code 225 280	Sensor type Delivery 225mm PG 13,5 gel-filled 280mm PG 13,5 liquid filled	
Code D50 A20 N14	Process Connection Delivery Flange DN50 PN16 Flange ANSI 2" 150lbs NPT M 1 1/4"	
Code G18 G14 N14	Cleaning Connection Delivery G 1/8" female thread G 1/4" female thread 1/4" NPT female thread	
Code 00	Position switch Delivery without	

Model codes

EXtract 811M stainless steel, extended immersion

Code 4404 HC22		Material (wetted parts) Delivery Stainless steel 1.4404 / 316L Alloy C22 2.4602
Code EPD FPM FKM	Sealing Material (wetted sealings) Delivery EPDM/FDA/USP VI FPM (Viton) FFKM (Kalrez)	
Code 325 380	Sensor type Delivery 325mm PG 13,5 gel-filled 380mm PG 13,5 liquid filled	
Code D40 D50 A12 A20	Process Connection Delivery Flange DN40 PN16 Flange DN50 PN16 Flange ANSI 1 1/2" 150lbs Flange ANSI 2" 150lbs	
Code G18 G14 N14	Cleaning Connection Delivery G 1/8" female thread G 1/4" female thread 1/4" NPT female thread	
Code 00	Position switch Delivery without	

Model codes

EXtract 821M Plastics, extended immersion

Code PV PEEK		Material (wetted parts) Delivery PVDF PEEK
Code EPD FPM FKM	Sealing Material (wetted sealings) Delivery EPDM/FDA/USP VI FPM (Viton) FFKM (Kalrez)	
Code 325 380	Sensor type Delivery 325mm PG 13,5 gel-filled 380mm PG 13,5 liquid filled	
Code D50 A20	Process Connection Delivery Flange DN50 PN16 Flange ANSI 2" 150lbs	
Code G18 G14 N14	Cleaning Connection Delivery G 1/8" female thread G 1/4" female thread 1/4" NPT female thread	
Code 00	Position switch Delivery without	

Model codes

EXtract 830M hygienic installation

Code 4404		Material (wetted parts) Delivery Stainless steel 1.4404 / 316L
Code EPD FPM	Sealing Material (wetted sealings) Delivery EPDM/FDA/USP VI FPM (Viton)	
Code 225 280	Sensor type Delivery 225mm PG 13,5 gel-filled 280mm PG 13,5 liquid filled	
Code IH28 IH25 IH50 IH55 VARN TC15 TC20 BCT5 MV50	Process Connection Delivery Ingold DN25 G1 1/4" O-Ring-position 28mm Ingold DN25 G1 1/4" HyCIP® - OP25mm Ingold DN25 G1 1/4" HyCIP® - OP50mm Ingold DN25 G1 1/4" HyCIP® - OP55mm Varivent N DN40-125 TriClamp 1-1,5" (OD Ø50,5mm) TriClamp 2.0 (OD Ø64mm) NEUMO BioControl D50 DIN 11851 DN50 (dairy connection)	
Code G18 G14 N14	Cleaning Connection Delivery G 1/8" female thread G 1/4" female thread 1/4" NPT female thread	
Code 00	Position switch Delivery without	

EXtract 840M manual retractable holder with ball valve

Code 4404		Material (wetted parts) Delivery Stainless steel 1.4404 / 316L
Code EPD FPM FKM	Sealing Material (wetted sealings) Delivery EPDM/FDA/USP VI FPM (Viton) FFKM (Kalrez)	
Code 03 07	Immersion length Delivery 300mm (nominal) 700mm (nominal)	
Code 120	Sensor type Delivery 120mm PG 13,5 Ø12mm	
Code FD320 FD32B FA140 FA14B G14MO G14FB N14MO	Process Connection Delivery Flange DN32 PN16 without ball valve Flange DN32 PN16 with ball valve Flange ANSI 1 1/4" 150lbs without ball valve Flange ANSI 1 1/4" 150lbs with ball valve Thread G1 1/4" male without ball valve Thread G1 1/4" female with ball valve Thread NPT G1 1/4" male without ball valve	
Code G18 G14 N14	Cleaning Connection Delivery G 1/8" female thread G 1/4" female thread 1/4" NPT female thread	

YOKOGAWA EUROPE B.V.
Euroweg 2
3825 HD AMERSFOORT
The Netherlands
Tel. +31-88-4641 000
Fax +31-88-4641 111
www.yokogawa.com/eu

Yokogawa has an extensive sales and distribution network. Please refer to the European website (www.yokogawa.com/eu) to contact your nearest representative.



YOKOGAWA ◆

GS 12B06K08-E-E

Subject to change without notice

Copyright©

Printed in The Netherlands, 01-1601 (A) I